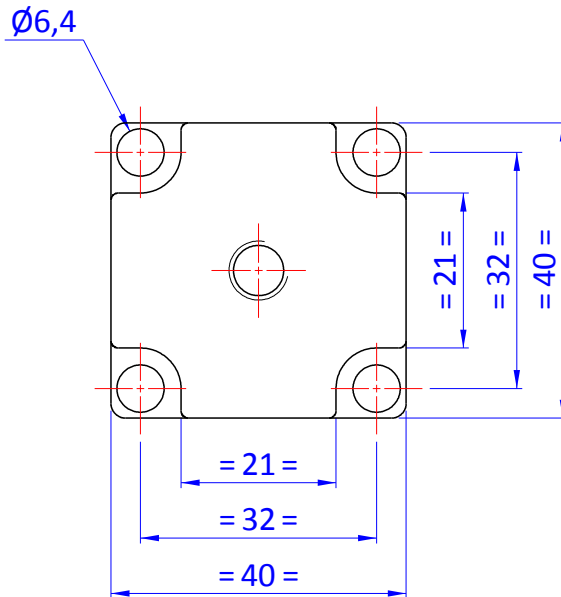
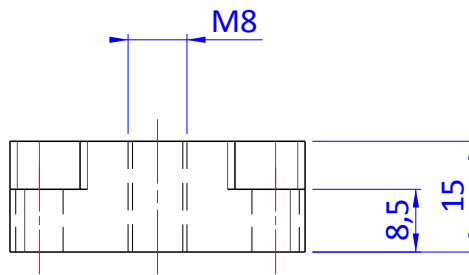
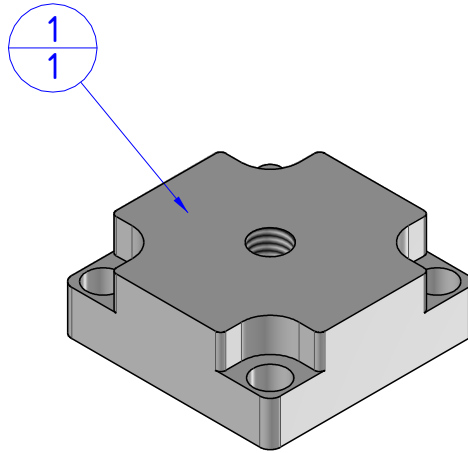

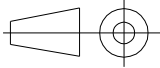


Object Number	Name	QTY
1	PP.4040.JU	1



THE PROPERTY OF THE DRAWING IS ESTABLISHED BY LAW. IT IS FORBIDDEN TO PRODUCE OR SHOW IT TO THIRD PART. WITHOUT A WRITTEN AGREEMENT.

Format A4 UNI 936-76	 FPS FPSERVICES AUTOMATION			DESIGNED FROM FPS Automation		REVIEW A
	GENERAL TOLERANCE UNI - ISO 2768 CLASSE f			DATE 10/08/2018		WEIGHT 0,055kg
	DESCRIPTION CA.PP.4040.JU			CODE CA.PP.4040.JU		